

R2 Light CATR Antenna Measurement System

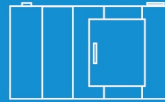
- Plug and play
- The most compact
- Suitable for mmWave
- Beneficial for research



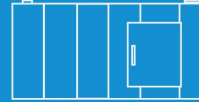
R2



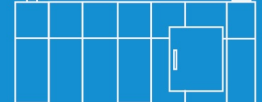
R3



R6

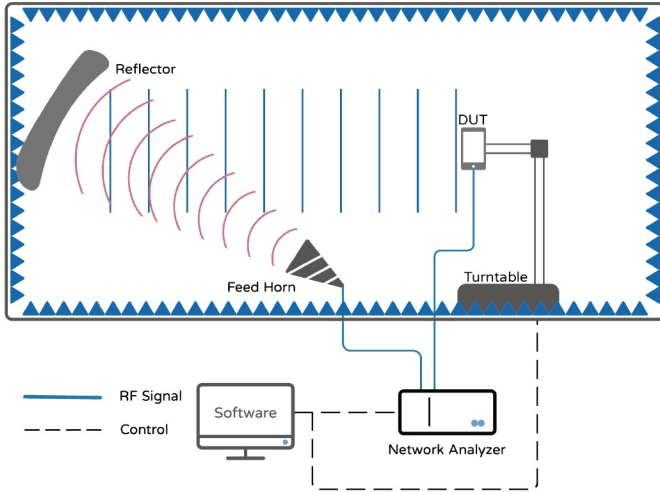


R8

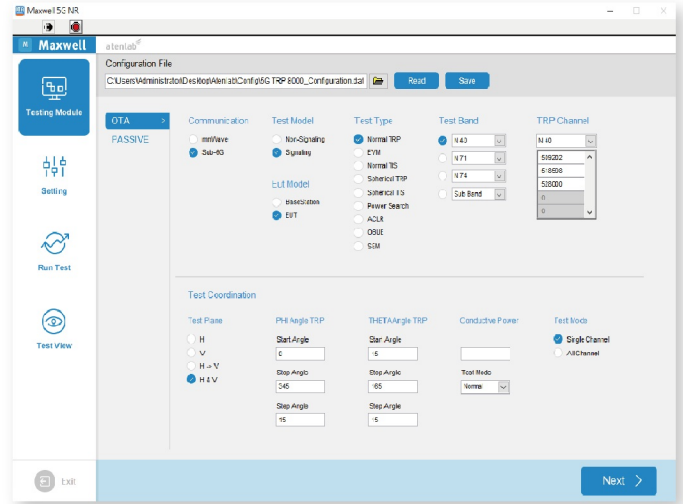


Dimension (m)	L1.2 x W0.8 x H1.9	L7.0 x W4.0 x H3.0	L10.0 x W5.0 x H4.0	L12.0 x W6.0 x H6.0
Max. DUT (m)	0.4	0.7	1.2	1.5
Frequency Range (GHz)	24 - 110	8.2 - 110	4 - 110	2 - 110
Quiet Zone (m)	0.3 x 0.3	0.6 x 0.6	0.9 x 0.9	1.2 x 1.2
Reflector Shape	Rolled Edge	Rolled Edge	Rolled Edge	Rolled Edge
Reflector Size (m)	0.6 x 0.6	1.5 x 1.5	2.1 x 2.1	2.7 x 2.7
Amplitude Ripple (dB)	± 1.2	± 0.5	± 0.5	± 0.5
Amplitude Taper (dB)	2.8	1.0	1.0	1.0
Phase Ripple	N/A	± 5°	± 5°	± 5°
Phase Taper	N/A	10°	10°	10°

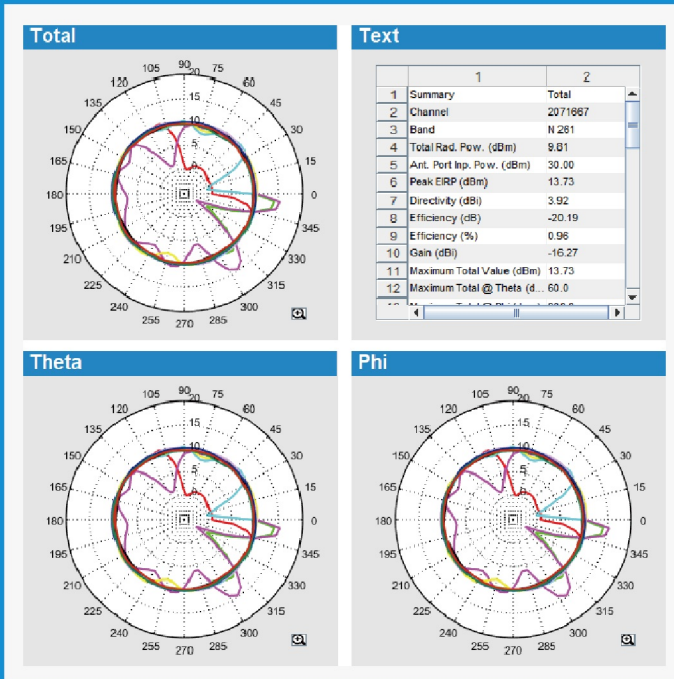
System Architecture



Maxwell 5



Maxwell Viewer 2D



Maxwell Viewer 3D

